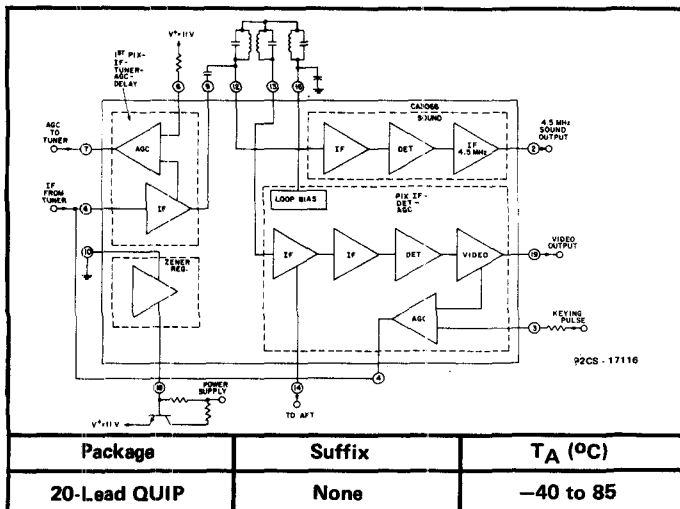


92CS - 24988

TV Video IF System

CA3068



Package	Suffix	T _A (°C)
20-Lead QUIP	None	-40 to 85

File No. 467*, ICAN-6544*

Applications and Features

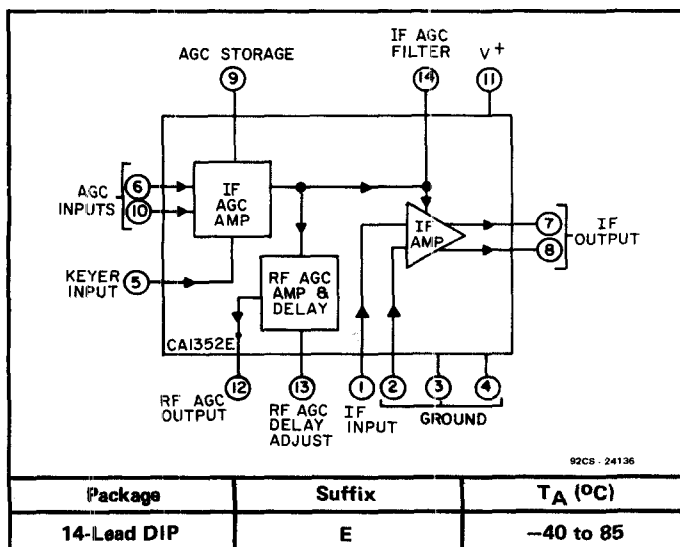
- High-gain wide band if amplifier: 75 dB typ. at 45MHz
- Gain reduction with excellent stability: 50 dB typ. at 45MHz
- Video detector with linear characteristics
- Video amplifier: 12 dB gain
- Impulse noise limiter
- Keyed agc with noise immunity circuits
- Delayed agc for tuner
- Buffered aft output
- Separate sound if intercarrier amplification
- Sound carrier detector
- 4.5MHz sound carrier amplifier
- Isolated zener reference diode for regulated voltage supply

Typical Electrical Characteristics at T_A = 25°C

Video Sensitivity	100	μA
Sync Tip Level	0.8	V
AFT Drive Level (at 45.75 MHz)	15	mV
3.58 MHz Chroma Output (at 42.17 MHz and 45.75 MHz)	0.8	V
4.5 MHz Sound Output (at 41.25 MHz and 45.75 MHz)	200	mV
White Level Voltage	8	V

TV Video Amplifier

CA1352



Package	Suffix	T _A (°C)
14-Lead DIP	E	-40 to 85

File No. (Preliminary Data)*

TV Video Amplifier — with AGC and Keyer Circuit

Applications and Features

- For use as an if amplifier in color and black-and-white TV receivers
- High 45-MHz gain : 53 dB typ.
- High gain gated AGC for positive or negative-going sync
- Adjustable rf AGC delay to tuner
- AGC gain reduction : 68 dB typ.

Typical Electrical Characteristics

AGC Range	68 dB
Power Gain	53 dB
RF AGC Range	0.2 to 7 V